

SERIES M09

Steel Framed Panel Door

Product Description

- Embossed paneled doors with pre-primed white finish
- **For door styles see Appendix C
- Top roll system with 3" decorative fascia
- Standard sizes fit 4', 5', 6' widths and finished openings heights of 79 3/4"-81"

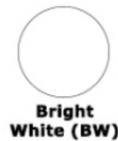


Height 80"

(fits finished opening heights 79 3/4" to 81")

Model	Width	# of Panels	Weight lbs.	Price
M09-4'0X6'8	48"	2	48	\$360
M09-5'0X6'8	60"	2	58	\$390
M09-6'0X6'8	72"	2	68	\$420

STOCK FRAME FINISHES



Bright White (BW)



Arctic Silver (AS)

ADD ONS - MULTIPLIER DOES NOT APPLY

Ball Bearing Rollers, add \$12.00/panel.

For custom sizes per height/width add \$30.00 to the next largest size

Each additional panel add \$90.00 for 80"

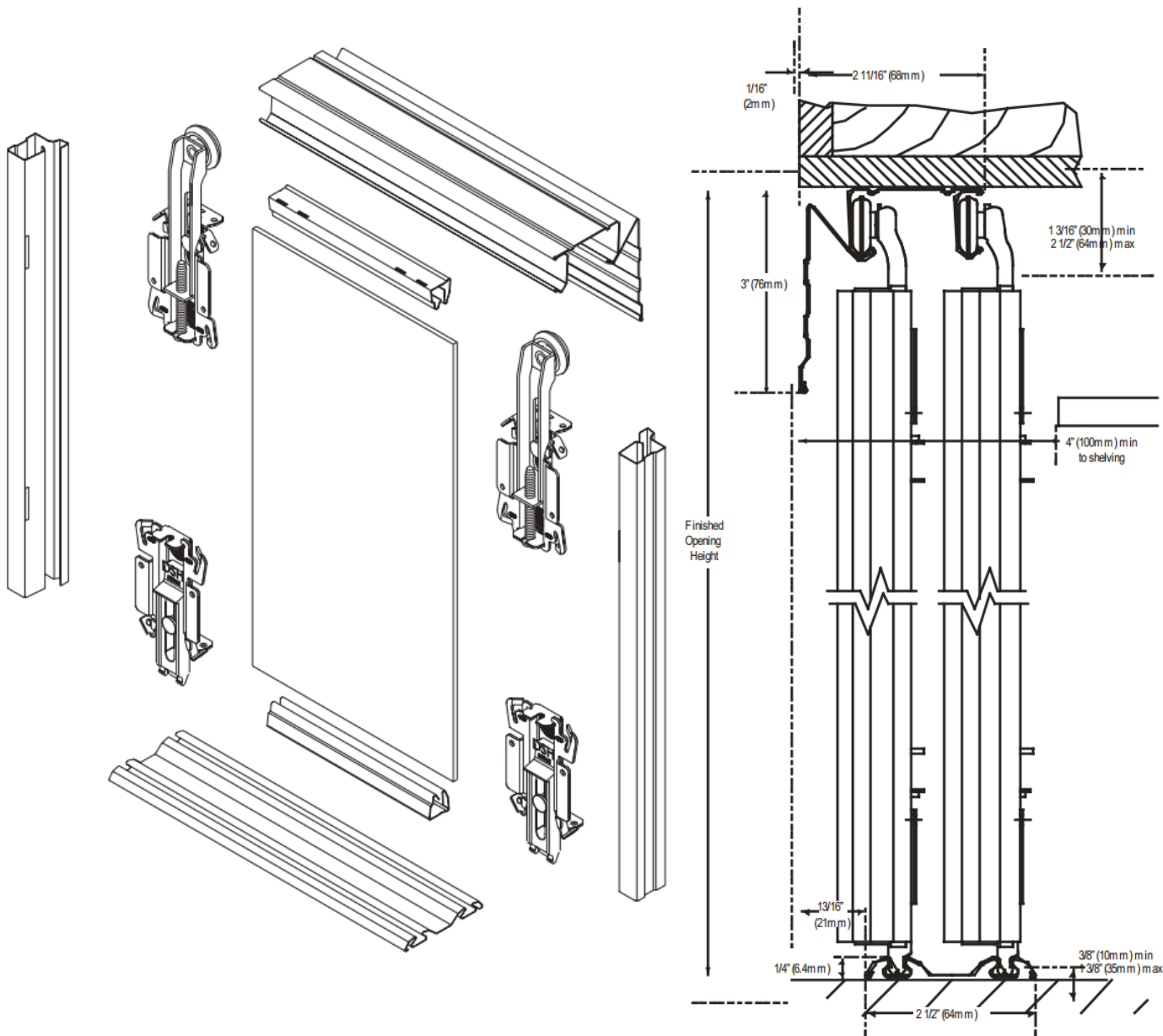
All doors priced with regular 2-track system. For triple track see Appendix A.

Prices subject to change without notice. All taxes extra. All prices in Canadian Dollars.
CUSTOMER SERVICE CALL - 778-549-6340 OR EMAIL dprichett@modern.ca

BULLDOG

GLASS DOORS

SERIES M09 - Specifications



Insert Thickness: 1/8" (3mm)
Maximum single door size: 36 1/2" wide x 80" high
Maximum single door weight: 42lbs
Vertical Adjustment: 1" bottom, 1-5/16" top

Top Track Height: 3"
Bottom Track Height: less than 5/16"
Top Connectors: Ball bearing rollers or solid acetal plain bearing
Bottom Connectors: Floating guide

Standard Opening Heights:

- 80 1/2" door range: 79 3/4" to 81"

Standard Opening Widths:

- Available in 48", 60", 72"

All Bulldog mirror products use safety backed mirror.