

SERIES M01

Steel Framed Bottom Roll Mirror Door

Product Description

- Bottom roll system with built in anti-jump feature
- Adjustability of +0" to -4" on width
- Standard sizes fit 4', 5', 6' widths and finished opening heights of 79 3/4"-81" and 95 1/2"-96 3/4"
- Safety Backing



Height 80"

(fits finished opening heights 79 3/4" to 81")

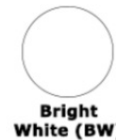
Model	Width	# of Panels	Weight lbs.	Price
M01-3'0x6'8	36"	2	50	\$355
M01-4'0x6'8	48"	2	68	\$400
M01-5'0x6'8	60"	2	82	\$455
M01-6'0x6'8	72"	2	98	\$515
M01-8'0x6'8	96"	2	130	\$630

Height 96"

(fits finished opening heights 95 1/4" to 96 3/4")

Model	Width	# of Panels	Weight lbs.	Price
M01-4'0x8'0	48"	2	76	\$450
M01-5'0x8'0	60"	2	97	\$510
M01-6'0x8'0	72"	2	116	\$580
M01-8'0x8'0	96"	2	156	\$710

STOCK FRAME FINISHES



ADD ONS - MULTIPLIER DOES NOT APPLY

Ball Bearing Rollers, add \$12.00/panel.

For custom sizes per height/width add \$30.00 to the next largest size

Each additional panel add \$90.00 for 80" and \$120.00 for 96"

All doors priced with regular 2-track system. For triple track see Appendix A.

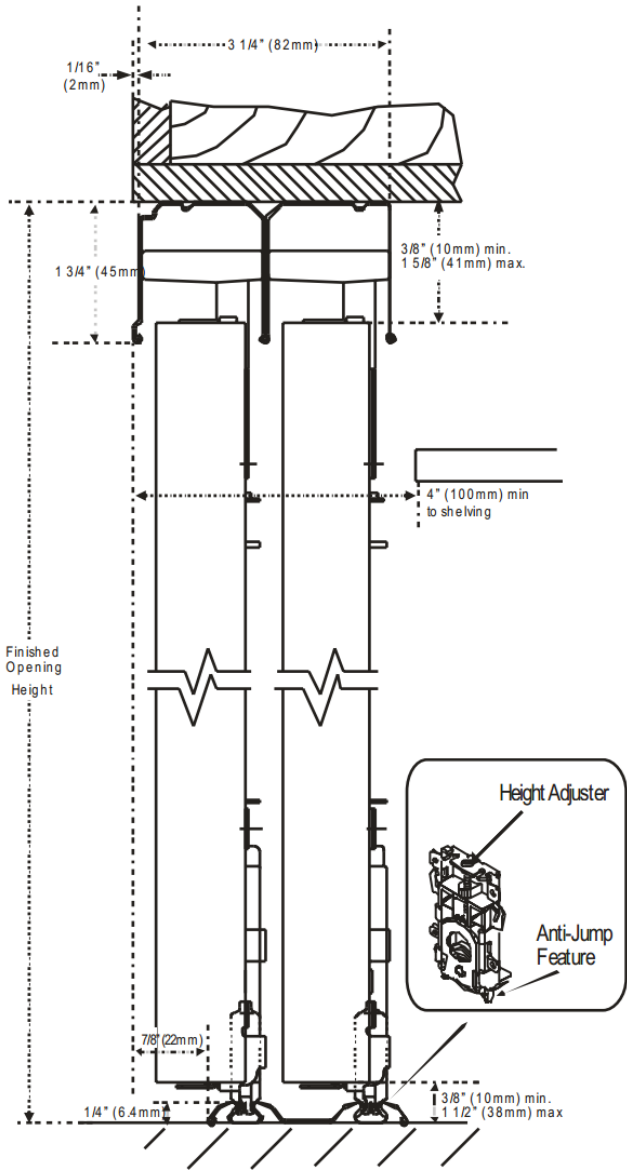
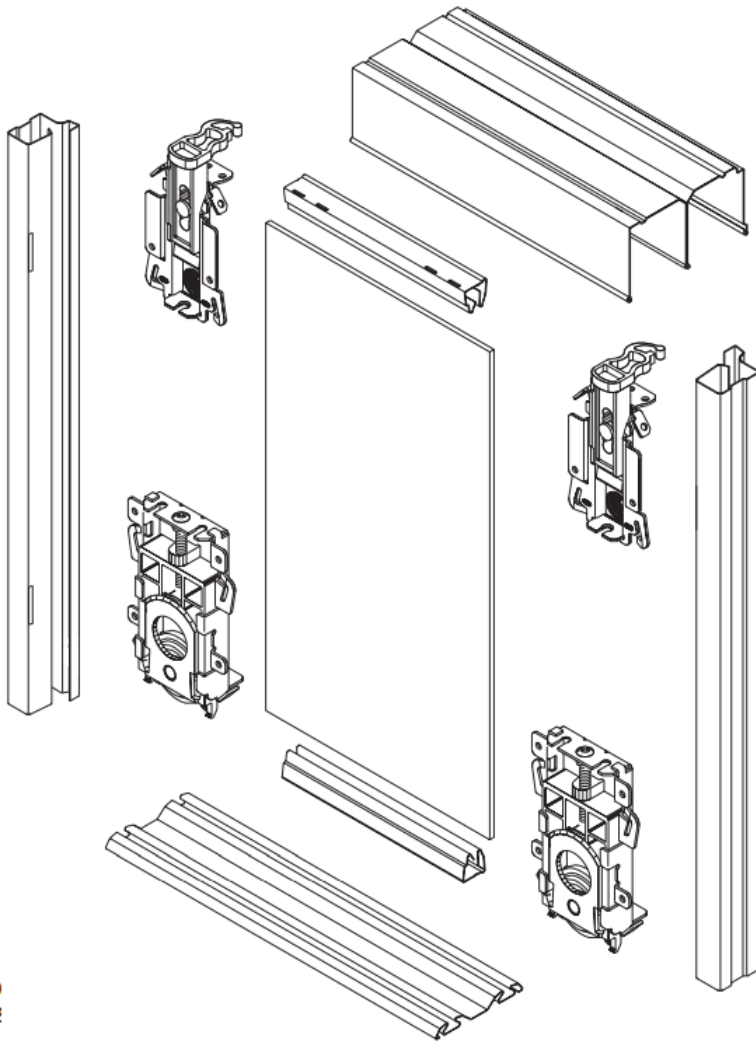
Prices subject to change without notice. All taxes extra. All prices in Canadian Dollars.

CUSTOMER SERVICE CALL - 778-549-6340 OR EMAIL dprichett@modern.ca

BULLDOG

GLASS DOORS

SERIES M01 - Specifications



Insert Thickness: 1/8" (3mm)
Maximum single door size: 48 1/2" wide x 96" high
Maximum single door weight: 85 lbs
Vertical Adjustment: 1 1/8" bottom, 1 1/4" top

Top Track Height: 1 3/4"
Bottom Track Height: less than 5/16"
Top Connectors: plastic guide
Bottom Connectors: ball bearing rollers or solid acetal bearing

Standard Opening Heights:

- 80 1/2" door range: 79 3/4" to 81"
- 96" door range: 95 1/4" to 96 3/4"

Standard Opening Widths:

- Available in 48", 60", 72", 96"
- Custom sizes available up to 192" wide x 96" high

All Bulldog mirror products use safety backed mirror.